

# BT8421

## FLAT SCREEN WALL MOUNT FOR SCREENS UP TO 55"

BT8421 has been designed for medium-sized screens up to 55" & offers a slim, space-efficient design that mounts screens just 30mm from the wall. The mount features B-Techs 'OWLS' post-installation screen alignment, making the installation process remarkably easy. The 'hook-on' installation further streamlines the setup, ensuring a quick & hassle-free experience. In addition to its user-friendly design, the BT8421 prioritises security with a built-in locking bar that effectively deters unauthorised removal of the screen. All the mounting hardware is included, providing a comprehensive solution for your screen-mounting needs.


### SPECIFICATIONS

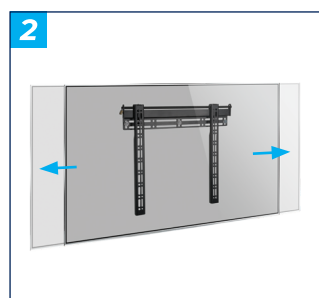
Recommended screen size	up to <b>55"</b>
Max load	<b>35kg</b>
Universal fixings	up to <b>465mm x 400mm</b>
VESA® compatibility	up to <b>400 x 400</b>
Distance from wall	<b>30mm</b>

### FEATURES

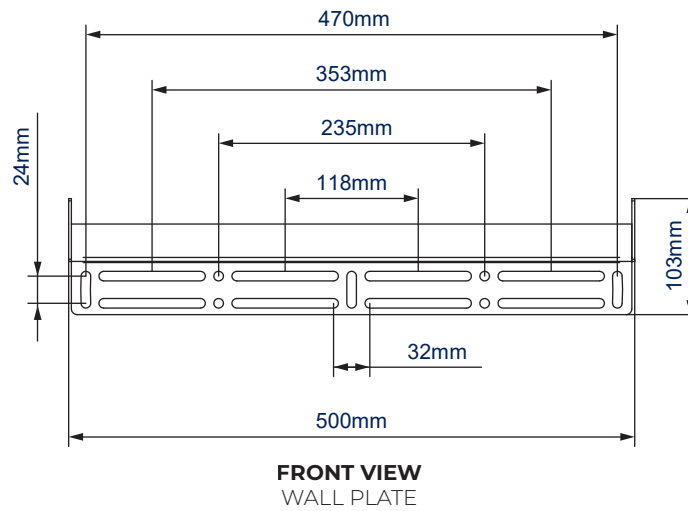
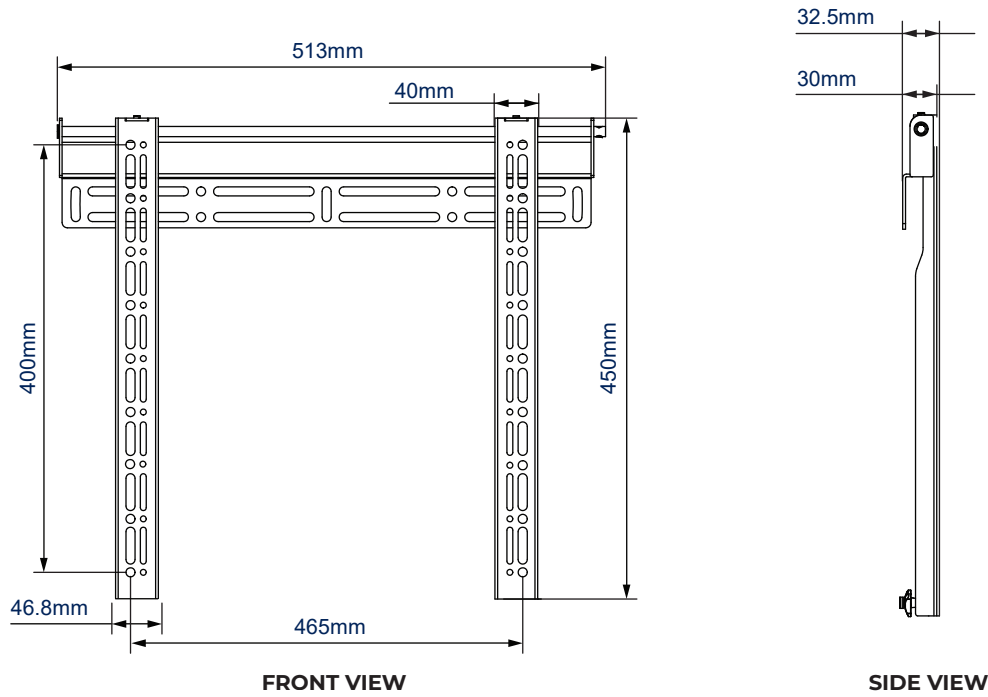
- 1 Low-profile design for a close-to-the-wall installation
  - 2 Lateral adjustment of the screen once mounted
  - 3 Locking bar, security screws, & Allen key prevent unauthorised removal
  - 4 All mounting hardware included
- Simple 'hook-on' installation
  - Features OWLS™ (On Wall Levelling System)
  - Suitable for concrete or brick walls



RECOMMENDED MAX SCREEN	MAX LOAD	MAX VESA	POST INSTALL ALIGNMENT	QR CODE
55" 140cm	35kg	400	← →	



# BT8421



## ORDERING INFORMATION

COLOUR	ORDER REF	EAN
Black	BT8421/B	5019318082009

## RELATED PRODUCTS

PRODUCT CODE	NAME	DESCRIPTION
BT8200	Flat Screen Wall Mount	Ultra-Slim mounting solution designed for screens up to 47"
BT8220	Flat Screen Wall Mount	Ultra-Slim mounting solution designed for screens up to 80"
BT8431	Flat Screen Wall Mount with Tilt	Designed for screens up to 55" & features our easy tilt mechanism
BT8422	Flat Screen Wall Mount with Double Arm	Designed for screens up to 55" & features easy tilt, & swivel mechanism